

MD SERIES - SPECIFICATION DATA SHEET 1.5A



www.kirkkey.com

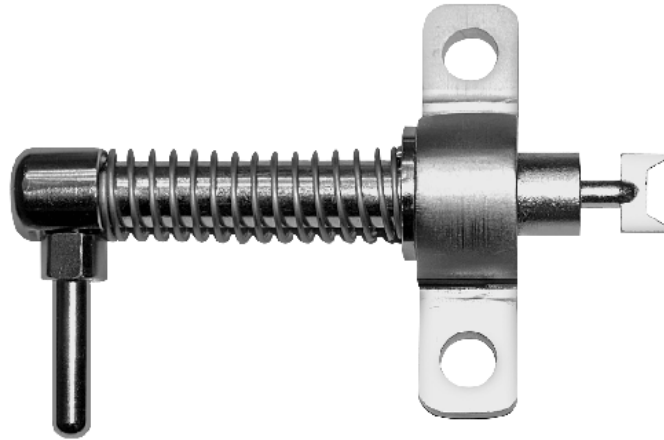
Luft Brasil Ind. Com. Ltda

R. Dom Andrés Lamas, 56
Tataupé São Paulo - SP
(11) 3795-0000

www.luftbrasil.com.br



Type DM - Latch Bolt Options



DM Latch Bolt with Spring & Mounting Bracket (Part # S42955A00)

The optional Type DM latch bolt with spring and mounting bracket offers mounting alternatives for the Type DM Interlock. The mounting bracket is designed to hold the latch bolt in close proximity to the DM lock body. After inserting and turning the key, the latch bolt can be rotated 1/4 turn to be released from the lock – thereby trapping the key.

A sliding door or gate is a good application for this style of latch bolt.

All components of the S42955A00 DM latch bolt are made from electropolished 316 stainless steel.

To order the latch bolt with spring and mounting bracket just specify the part number S42955A00 latch bolt with your Type DM interlocks.

MD SERIES - SPECIFICATION DATA SHEET 1.5A



www.kirkkey.com

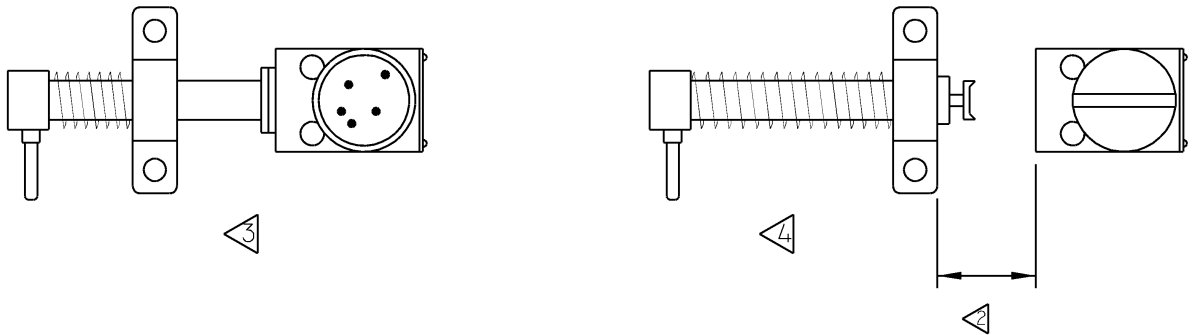
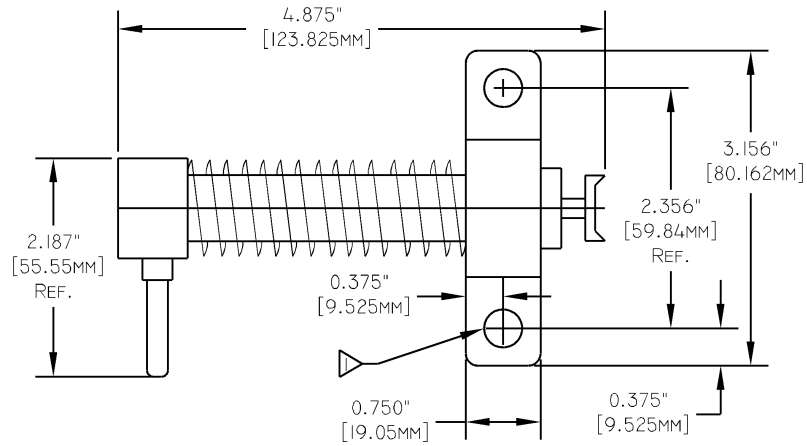
Luft Brasil Ind. Com. Ltda

R. Dom Andrés Lamas, 56
Tataupé São Paulo - SP
(11) 3795-0000

www.luftbrasil.com.br



Type DM - Latch Bolt Options



NOTES:

- 1) 0.4062" (10.32mm) holes for mounting bolts (2 holes).
- 2) Recommended Spacing: 7/8" (22.23mm) min, 2" (50.8mm) max.
- 3) Latched - key released.
- 4) Unlatched - key trapped.

MD SERIES - SPECIFICATION DATA SHEET 1.5A



www.kirkkey.com

Luft Brasil Ind. Com. Ltda

R. Dom Andrés Lamas, 56

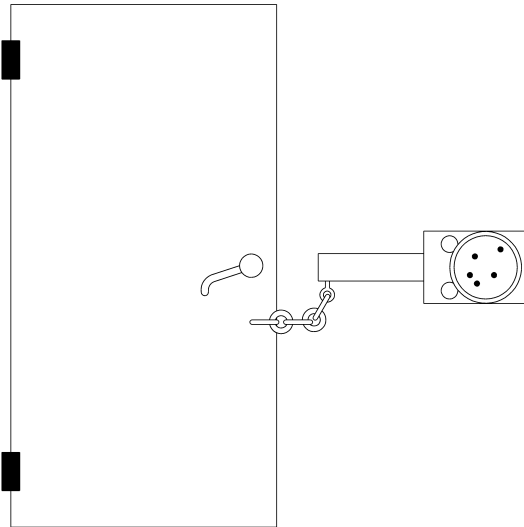
Tataupé São Paulo - SP

(11) 3795-0000

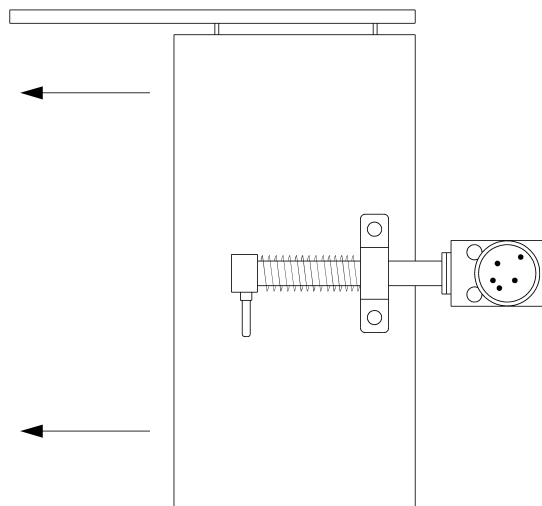
www.luftbrasil.com.br



Type DM - Latch Bolt Options



Door or Hatch



Sliding Door or Gate