



www.kirkkey.com

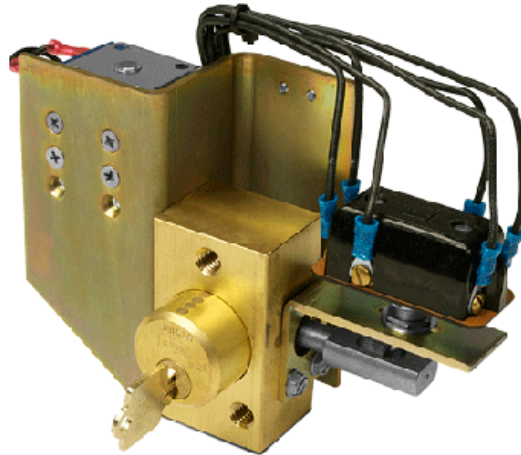
Luft Brasil Ind. Com. Ltda

R. Dom Andrés Lamas, 56
Tataupé São Paulo - SP
(11) 3795-0000

www.luftbrasil.com.br



Type SKRU - Solenoid Key Release Unit Unhoused



The Type SKRU consists of an interlock, a solenoid, and an auxiliary switch. The solenoid is designed to permit removal of the interlock key in response to an external electric signal. The auxiliary switch is a quick-make, quick-break device, which operates when the interlock key is rotated. Normally, the key is trapped in the SKRU and the solenoid is de-energized. To release the key, a signal must be sent to the solenoid from an external source.

The SKRU is typically used in combination with other KIRK® key interlocks. The SKRU can be manufactured with various mechanical and electrical options. The push button and/or the signal lamp are the most popular options. All components are UL recognized. The solenoid, optional signal lamp and optional push button are wired out to a terminal block along with some of the aux contacts. Please reference the wiring diagrams on our website for specific details.

The main body of the SKRU is constructed of brass. The optional cover plate and optional housing are aluminum.

OPTIONS

- Mounting Options – unhoused, cover plate only, or housed. The photo above shows the unhoused SKRU. The cover plate only and housed versions are shown on the SD Series Data Sheet for Type SKRU- Housed (2.2A, page 3). The housed Type SKRU is available front panel mounted or back panel mounted. See drawing on page 3, as well as the Interlock Ordering Guide.

- Key Removable – energized or de-energized. Please specify. Key removable energized is by far the most common.
- Signal Lamp – indicates that the external electric signal has been sent to the solenoid.
- Push Button – connected in series with the solenoid - the push button must be pressed to allow the external electric signal to energize the solenoid.



www.kirkkey.com

Luft Brasil Ind. Com. Ltda

R. Dom Andrés Lamas, 56

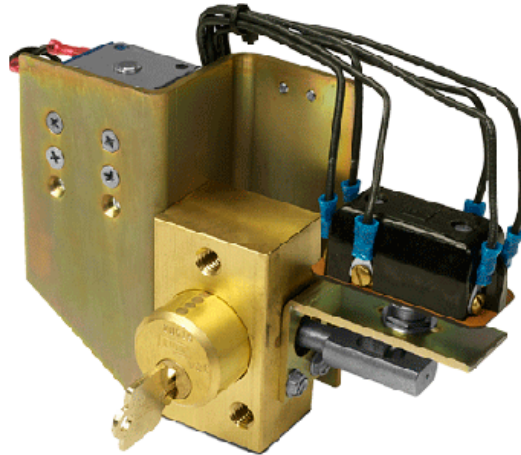
Tatapé São Paulo - SP

(11) 3795-0000

www.luftbrasil.com.br



Type SKRU - Solenoid Key Release Unit Unhoused, Front View



OPTIONS (continued)

- Solenoid Voltage – 120VAC, 24VDC, 48VDC, or 125VDC.
- Auxiliary Switch – double pole/double throw (DP/DT) is standard. The DP/DT switch is UL recognized and rated 10A 250VAC or VDC, or 15A 125VAC or VDC. Four pole/double throw (4P/DT) is available.
- Gasket – available for weatherproofing with Housed option.
- Multi-Cylinder - up to 2 cylinders available. The two-cylinder SKRU can be keyed either of two ways, 1) both keys released together once the solenoid is energized or, 2) keyed so that one initiating key and the external signal to the solenoid are required to release a held key. See SD Series Data Sheet 2.2B (Unhoused) and/or SD Series Data Sheet 2.2C (Housed) for details.
- Stamp Key Interchange - specify an alphanumeric code to be stamped on the cylinder face and the key (e.g. A1, A2, B1, etc. - up to 5 characters). See SD Series Data Sheet for Keys (3.4) and Terminology (4.1) for details.
- Dust Covers - see SD Series Data Sheet for Dust Covers (3.1) for details.

Notes:

- 1) If both the signal lamp and push button are selected as options, the SKRU will be supplied with a combination signal lamp and push button as a single device.
- 2) If the Cover Plate Only mounting option is selected, the Unhoused SKRU will be mounted to the front cover plate from the Housed SKRU. Reference the housed SKRU drawing on SD Series Data Sheet 2.2A and note the overall dimensions and mounting hole locations.
- 3) Two-Cylinder SKRU information is shown on SD Series Data Sheets for 2-Key Unhoused (2.2B) and 2-Key Housed (2.2C).

SD SERIES - SPECIFICATION DATA SHEET 2.2



www.kirkkey.com

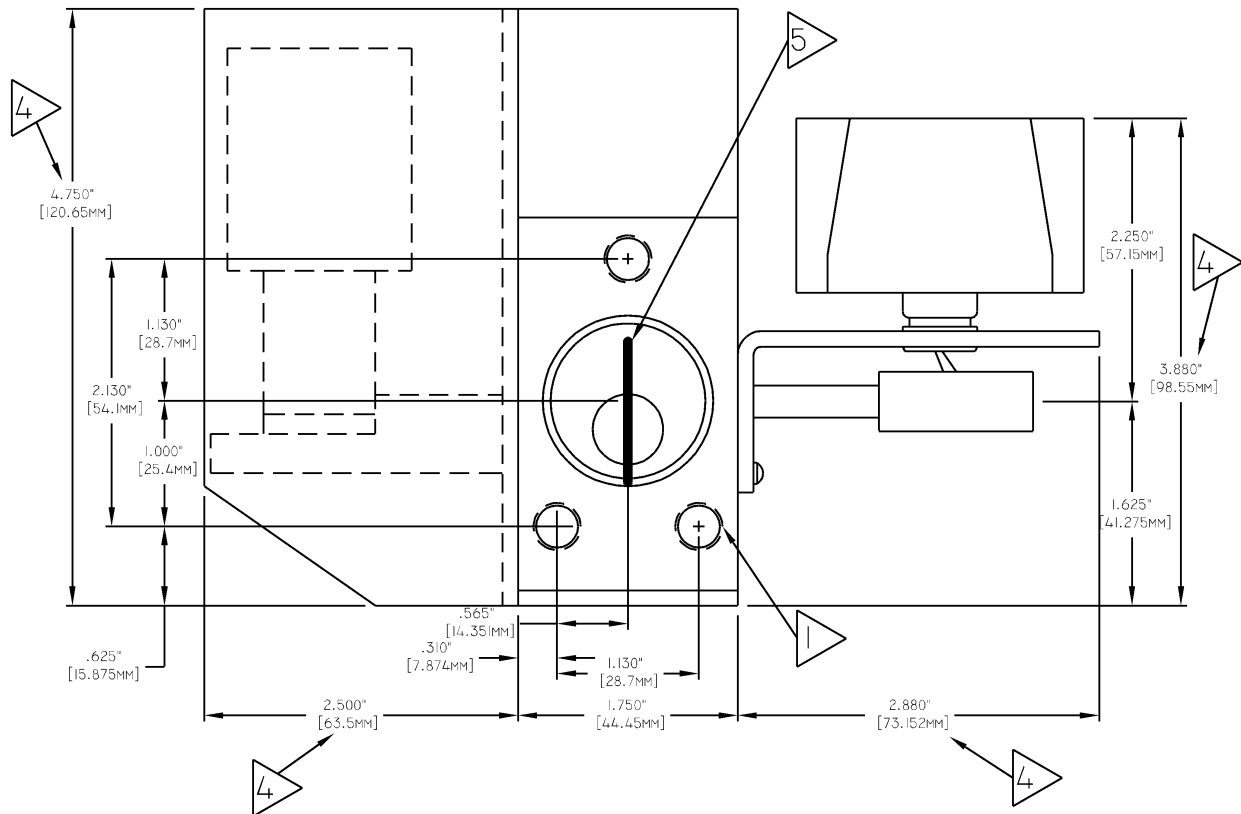
Luft Brasil Ind. Com. Ltda

R. Dom Andrés Lamas, 56
Tataupé São Paulo - SP
(11) 3795-0000

www.luftbrasil.com.br



Type SKRU - Solenoid Key Release Unit Unhoused, Front View



NOTES:

- 1) Three 3/8"-16 x 1" deep tapped holes for mounting (3 holes).
- 4) Clearance dimension.
- 5) Operating key shown in held position.

SD SERIES - SPECIFICATION DATA SHEET 2.2



www.kirkkey.com

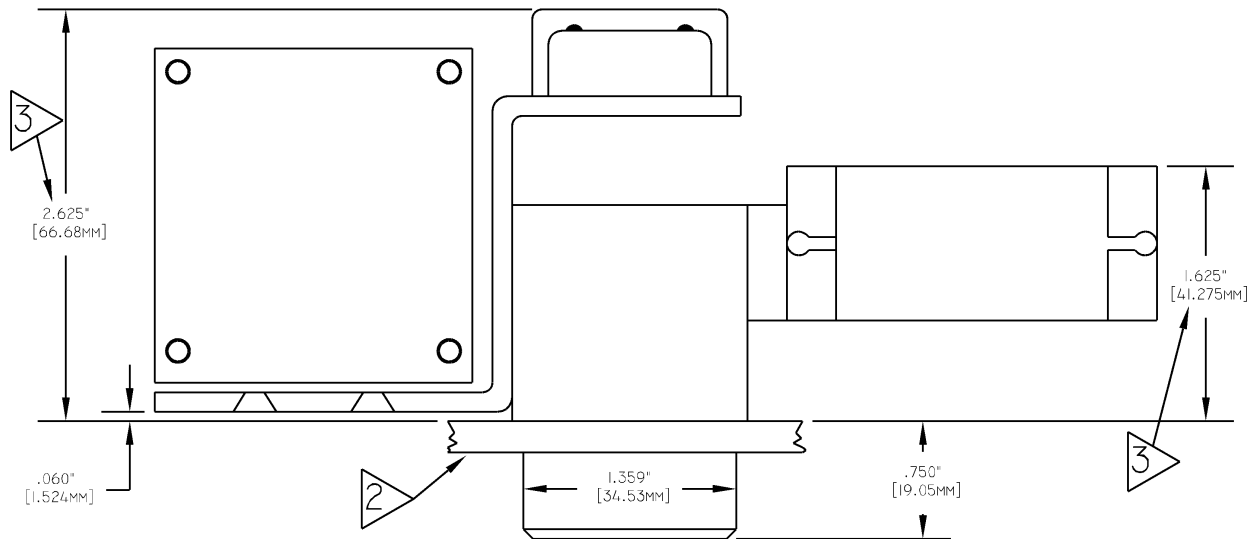
Luft Brasil Ind. Com. Ltda

R. Dom Andrés Lamas, 56
Tataupé São Paulo - SP
(11) 3795-0000

www.luftbrasil.com.br



Type SKRU - Solenoid Key Release Unit Unhoused, Top View



NOTES:

- 2) Mounting panel or coverplate.
- 3) Clearance dimension from back of panel.